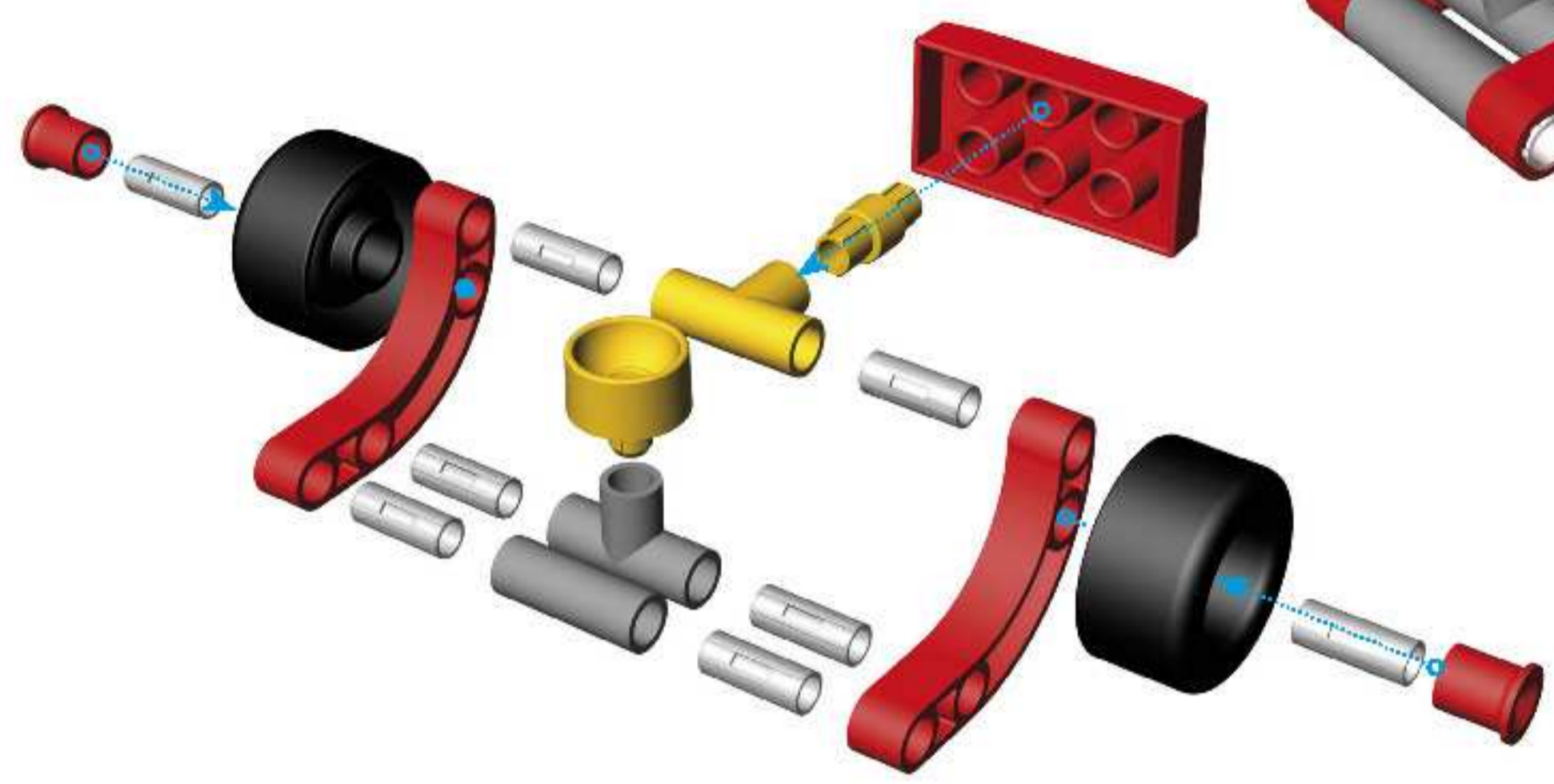
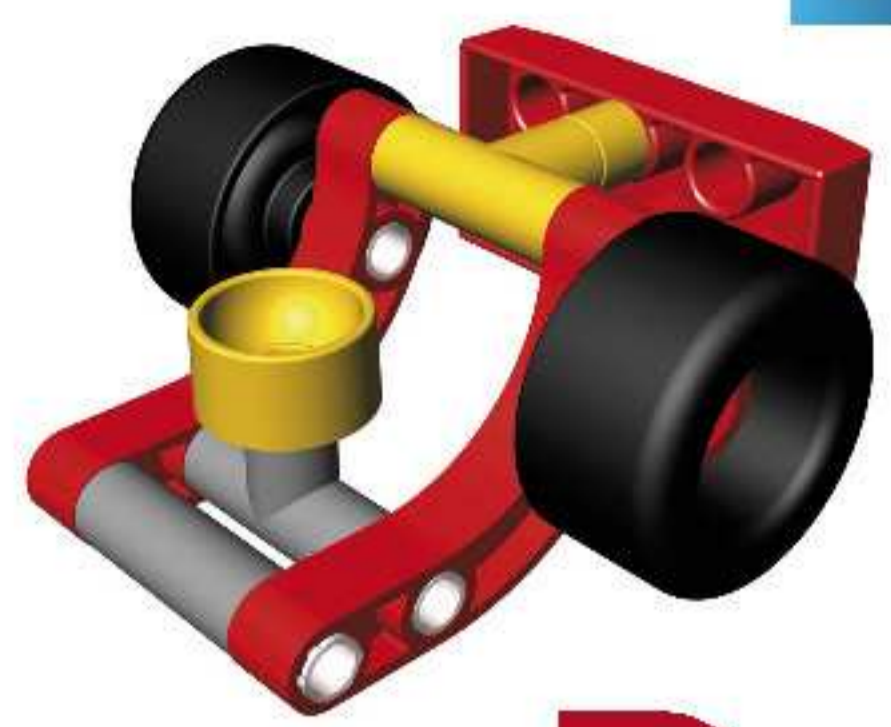


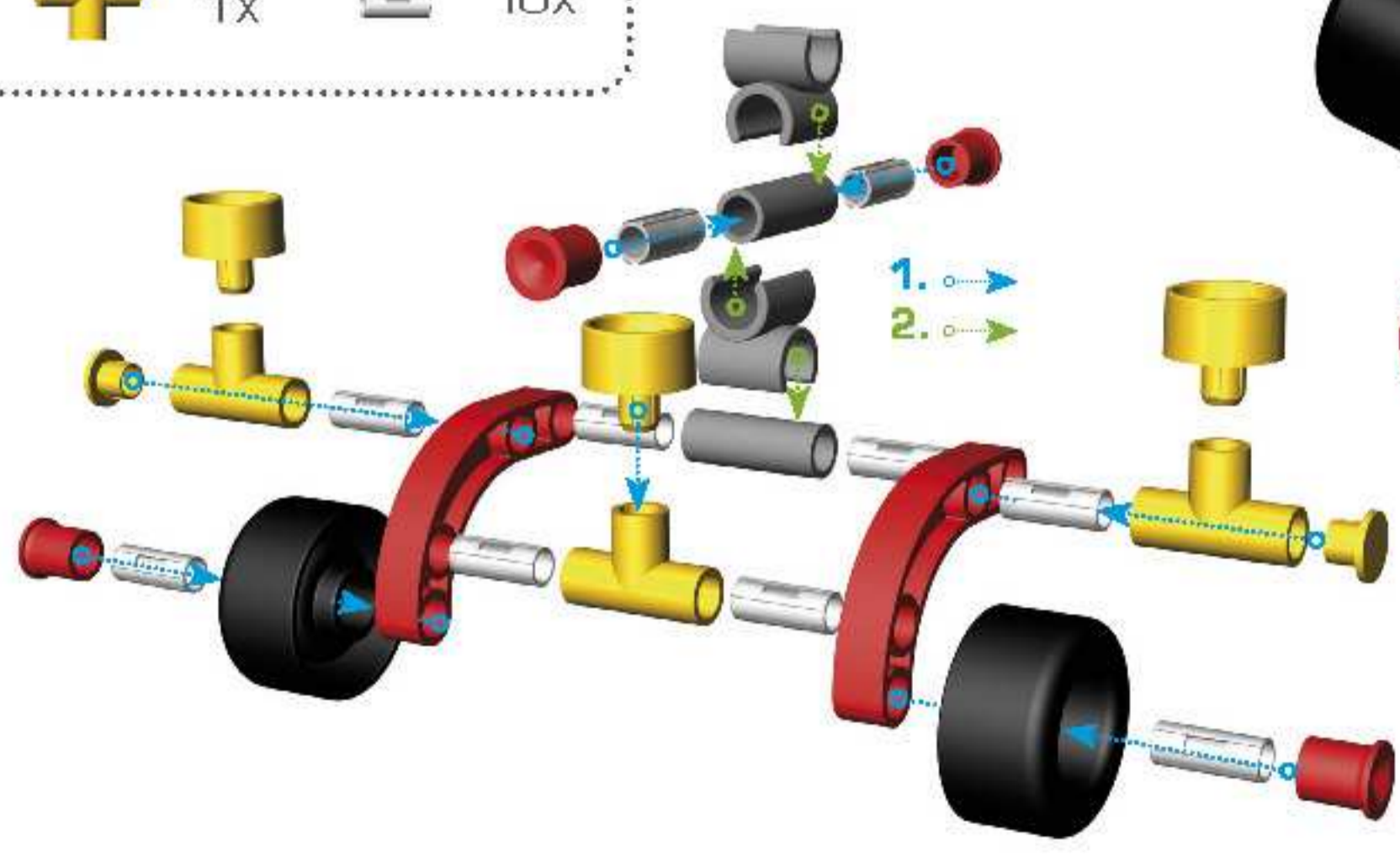
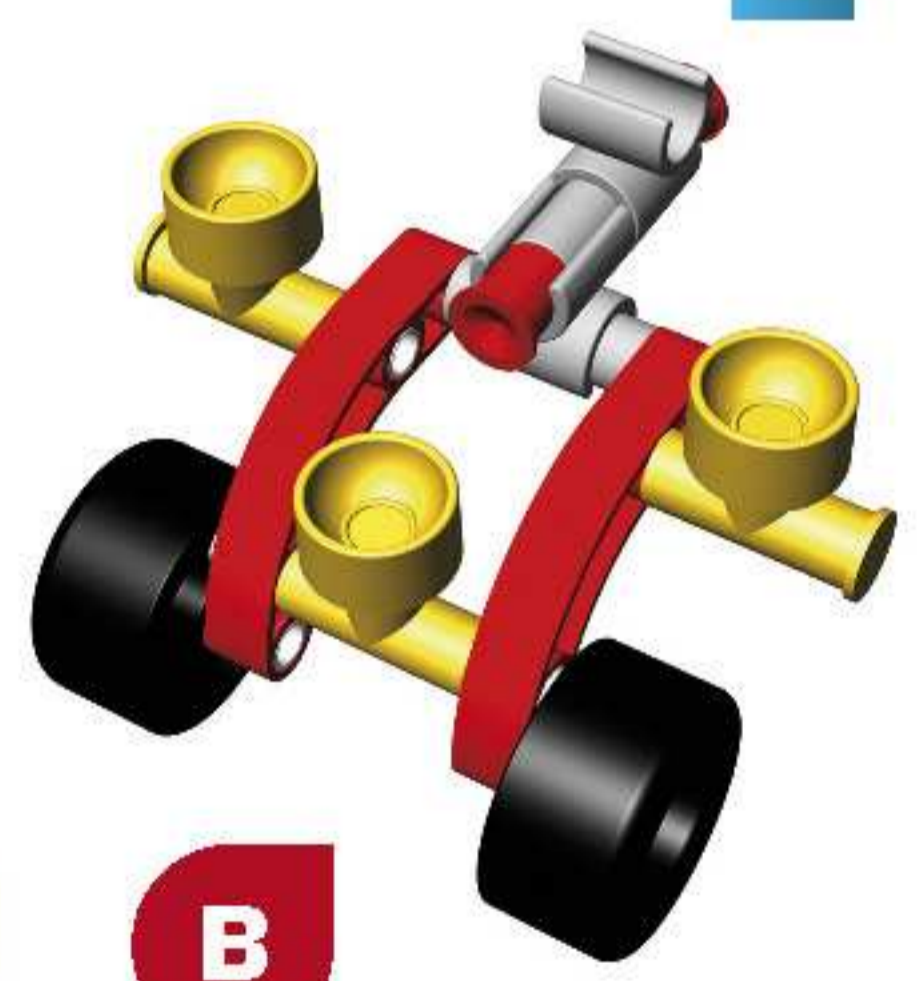
- | | | | | | |
|--|----|--|----|--|----|
| | 1x | | 2x | | 1x |
| | 2x | | 1x | | 1x |
| | 1x | | 1x | | 2x |
| | | | | | 8x |



A

ČTYŘKOLKA

- | | | | |
|--|----|--|-----|
| | 1x | | 2x |
| | 2x | | 2x |
| | 3x | | 4x |
| | 1x | | 2x |
| | | | 10x |



B

A + B

