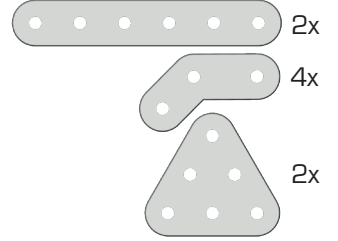
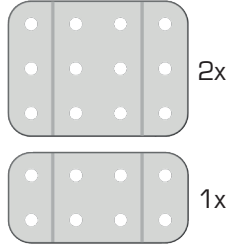
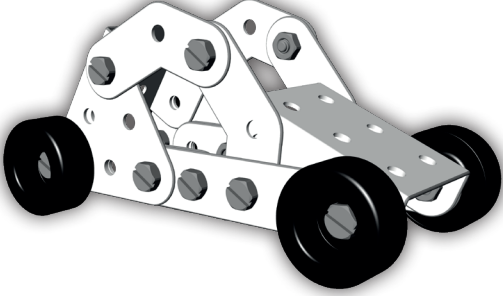
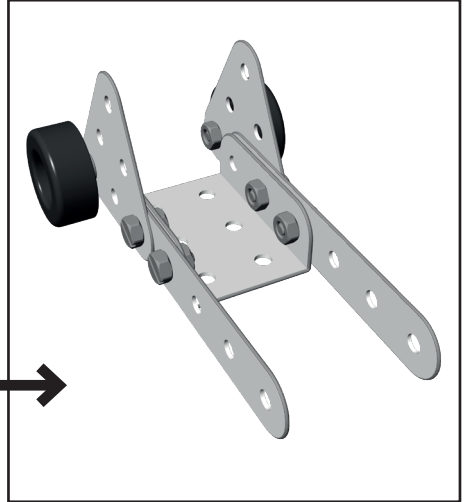
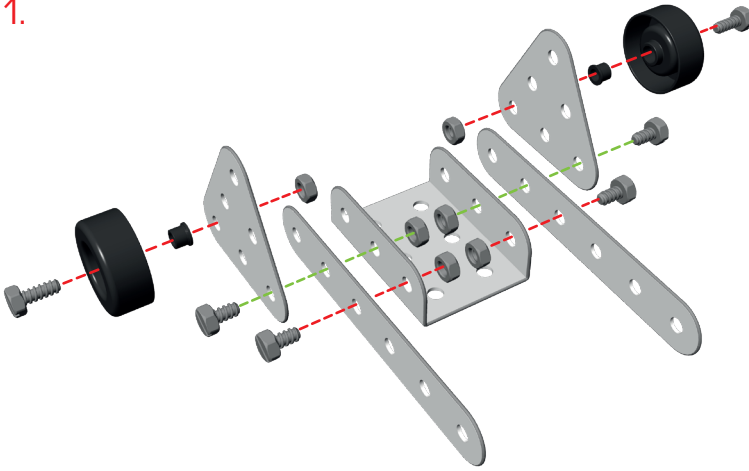


# set D

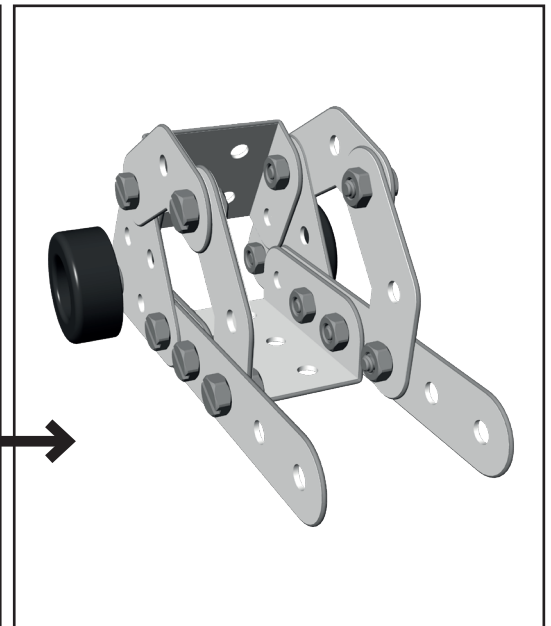
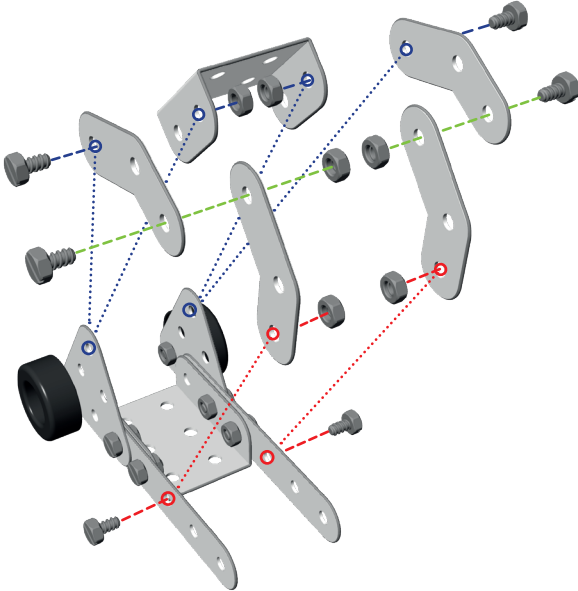
## Model D3



1.



2.



3.

